

BARTELL

CONCRETE EQUIPMENT

BARTELL MORRISON INC. 375 Annagem Blvd., Mississauga, ON L5T 3A7
Telephone: 1-905-364-4200 Toll Free: 1-866-501-1683 Fax: 1-905-364-4201

B436, B436E, B436SD WALK-BEHIND TROWEL

PARTS BOOK



www.BARTELLGLOBAL.COM

Doc. # PB-B19003
Orig. Rel. - 06/2016
Curr Rev. - 04



BARTELL

Bartell Morrison Inc.
375 Annagem Boulevard
Mississauga, Ontario, Canada
L5T 3A7
Tel: (905) 364-4200
Toll Free: (866) 501-1683
Fax: (905) 364-4201

Bartell Morrison USA LLC
200 Commerce Drive, Unit A
Freehold, NJ, USA
07728
Tel: (732) 566-5400
Toll Free: (888) 999-1570
Fax: (732) 566-5444

SPE International Ltd
Honeyholes Lane
Dunholme, Lincoln, England
LN2 3SU
Tel: 01673 860709
Fax: 01673 861119

Innovatech
4701 Allmond Ave
Louisville, Kentucky, USA
40209
Tel: (425) 905-9100
Fax: (425) 405-9101

ORIGINAL LANGUAGE

© 2015 Bartell Morrison Inc.

No part of this work may be reproduced or transmitted in any form or by any means, electronic or mechanical, including photocopying and recording, or by any information storage or retrieval system without the prior written permission of Bartell Morrison Inc. unless such copying is permitted by federal copyright laws.

Address inquiries or reference permissions care of:
Bartell Morrison Inc., 375 Annagem Blvd., Mississauga, Ontario, Canada, L5T 3A7

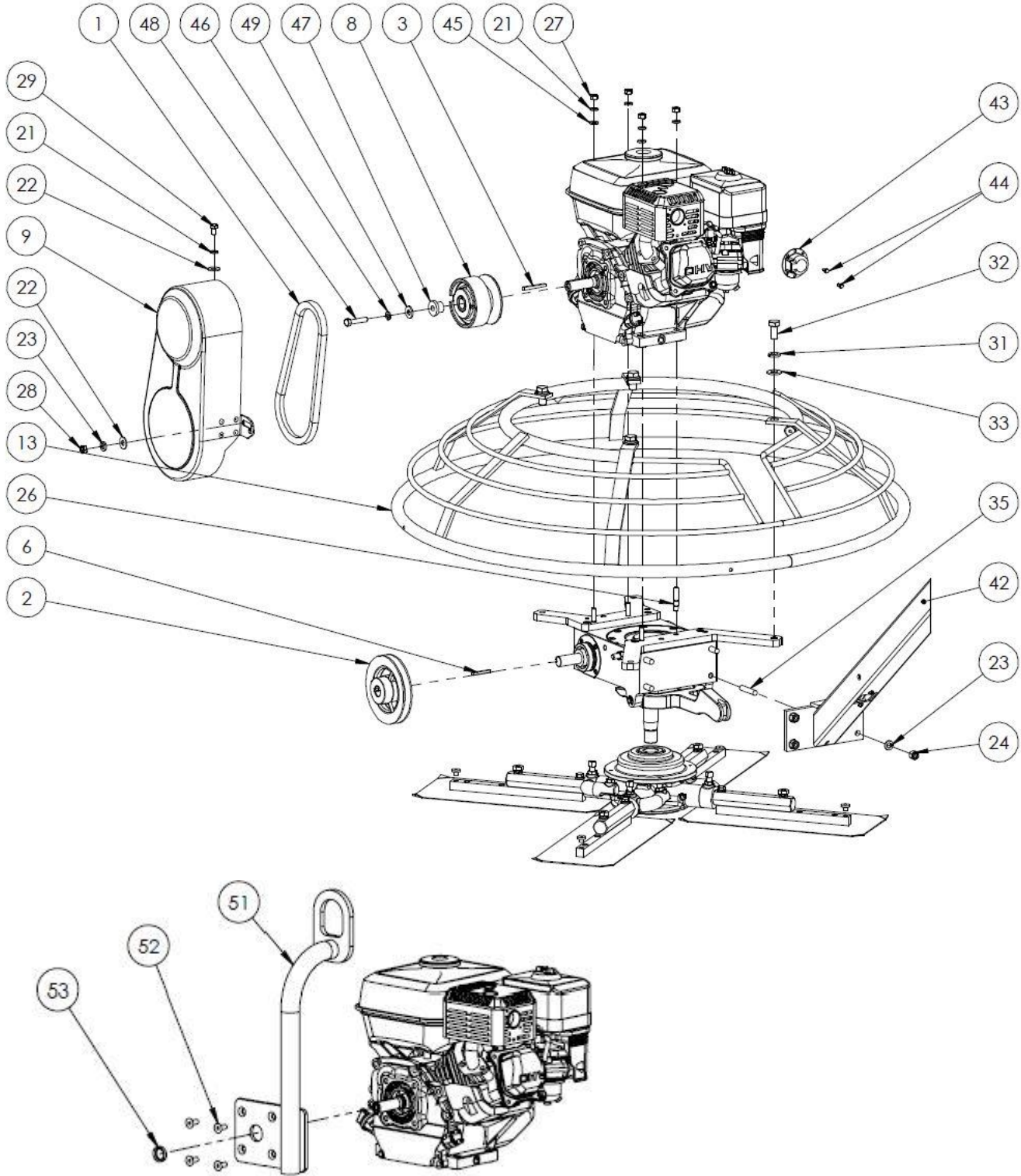
REV.	DATE	DESCRIPTION	APPROVED BY:
02	09/17	Added Easy Pitch parts list and diagram, rearranged the order of parts list, added 20288 – pulley assembly to handle parts lists. General Assembly Updated, Address change, changed handle asm p/n	AN
03	10/17	Parts list 9 changed to reflect correct P/N's	AN
04	02/18	Added decal kit P/N's, updated handle parts/breakout, changed P/N 20618 to 10618 on parts list 3	AN

TABLE OF CONTENTS

PARTS LIST 1 – WALK-BEHIND TROWELS	3
GENERAL ASSEMBLY DIAGRAM: B436, B436SD	3
GENERAL ASSEMBLY: B436, B436SD - PARTS LIST 1	4
PARTS LIST 2 – WALK-BEHIND TROWELS	6
BASE UNIT ASSEMBLY DIAGRAM: B436, B436E, B436SD	6
BASE UNIT ASSEMBLY: B436, B436E, B436SD - PARTS LIST 2	7
PARTS LIST 3 – WALK-BEHIND TROWELS	8
GEARBOX ASSEMBLY DIAGRAM: 20921, 20943	8
GEARBOX ASSEMBLY: 20921, 20943 - PARTS LIST 3	9
PARTS LIST 4 – WALK-BEHIND TROWELS	11
CLUTCH ASSEMBLY DIAGRAM: 21027, 21029	11
CLUTCH ASSEMBLY: 21027 (3/4" SHAFT), 21029 (1" SHAFT) – PARTS LIST 4	11
PARTS LIST 5 – WALK-BEHIND TROWELS	12
SPIDER PLATE ASSEMBLY DIAGRAM: 20810	12
SPIDER PLATE ASSEMBLY: 20810 – PARTS LIST 5	12
PARTS LIST 6 – WALK-BEHIND TROWELS	13
PRESSURE PLATE ASSEMBLY DIAGRAM: 20627	13
PRESSURE PLATE ASSEMBLY: 20627 – PARTS LIST 6	13
PARTS LIST 7 – WALK-BEHIND TROWELS	14
HANDLE ASSEMBLY DIAGRAM: 20230 FINE PITCH	14
HANDLE ASSEMBLY: 20230 FINE PITCH - PARTS LIST 7	15
PARTS LIST 8 – WALK-BEHIND TROWELS	16
HANDLE ASSEMBLY DIAGRAM: 20230E EUROPEAN SPEC.	16
HANDLE ASSEMBLY: 20230E EUROPEAN SPEC. - PARTS LIST 8	17
PARTS LIST 9 – WALK-BEHIND TROWELS	18
FOLDING HANDLE ASSEMBLY DIAGRAM: 20234	18
FOLDING HANDLE ASSEMBLY: 20234 – PARTS LIST 9	19
PARTS LIST 10 – WALK-BEHIND TROWELS	20
BLADE KIT ASSEMBLY DIAGRAM	20
BC436 BLADE KIT – PARTS LIST 10	20
PARTS LIST 11: WALK-BEHIND TROWELS	21
EASY PITCH ASSEMBLY DIAGRAM: 20259	21
EASY PITCH: 20259 - PARTS LIST 11	21
PARTS LIST 12 – WALK-BEHIND TROWELS	22
HAND KNOB ASSEMBLY DIAGRAM: 21714, 21720	22
HAND KNOB ASSEMBLY: 21714, 21720 – PARTS LIST 12	22

PARTS LIST 1 – WALK-BEHIND TROWELS

GENERAL ASSEMBLY DIAGRAM: B436, B436SD



GENERAL ASSEMBLY: B436, B436SD - PARTS LIST 1

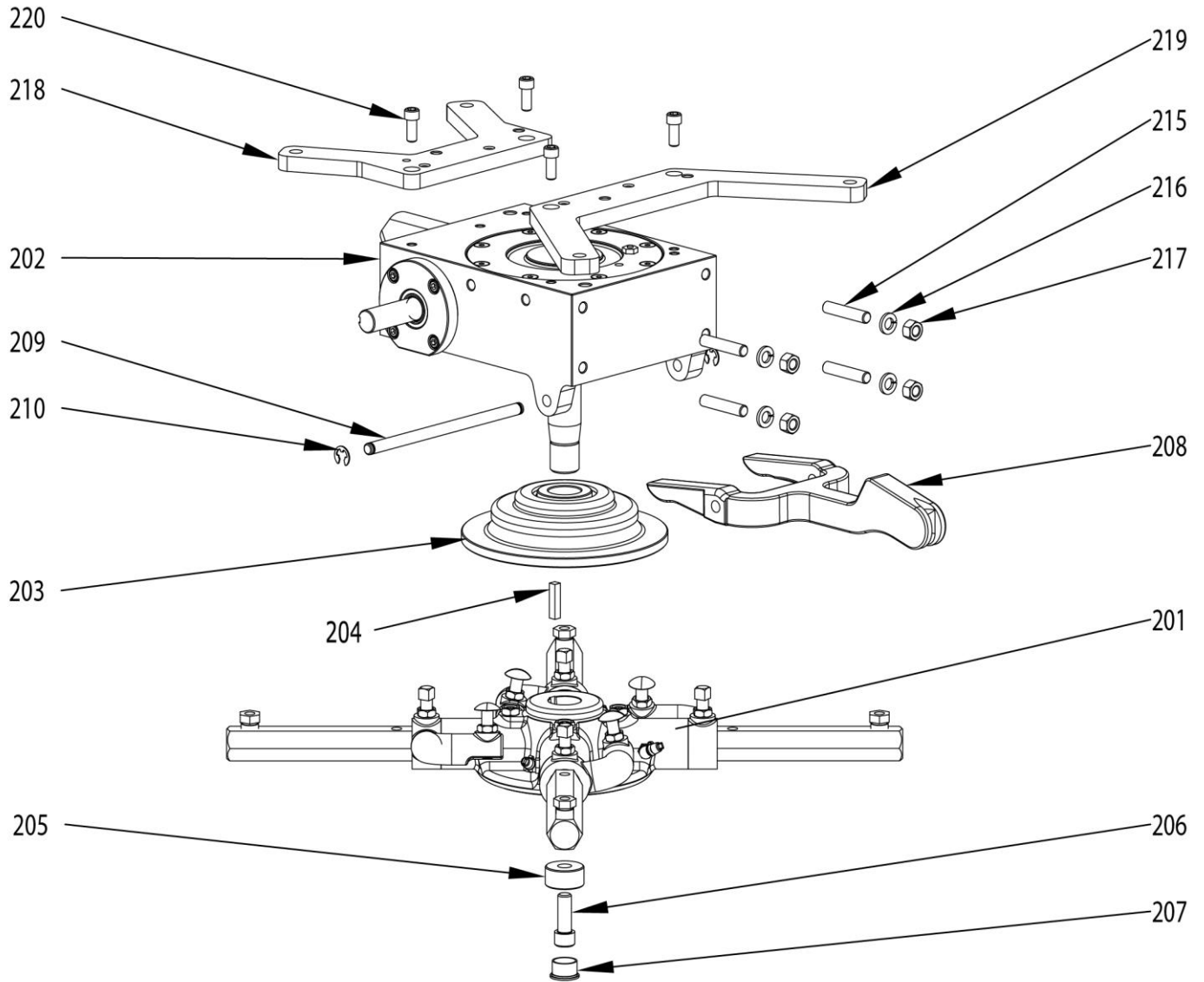
Item #	Part #	Description	QTY	Remarks
1	10740 (GX160) 11047 (GX270)	BELT, B25 BELT, B28	1	10/09/2012 8/16/2007
2	10739 (GX160) 14285 (GX270)	SHEAVE	1	10/09/2012
3	10206 (GX160) 11003(GX270)	SQUARE KEY, 3/16" x 1 7/8" LG SQUARE KEY, 1/4" x 2" LG	1	8/16/2007
6	10208	SQUARE KEY, 3/16" x 1 1/2" LG	1	8/16/2007
8	21027-2 (GX160) 21029-2 (GX270)	CLUTCH, 3/4" BORE CLUTCH, 1" BORE	1	06/08/2004
9	21067-1	BELT GUARD	1	10/09/2012
13	20447	GUARD RING	1	06/08/2004
21	10402 (GX160) 10902 (GX270)	WASHER, LOCK, 5/16" WASHER, LOCK, 3/8"	4	06/08/2004
26	14653 (GX160) 14650 (GX270)	STUD, ENGINE MOUNT -	4	1/16/2013 4/15/2011
27	10915 (GX160) 10901 (GX270)	HEX NUT, 5/16"-18UNC, GRADE 5 HEX NUT, 3/8"-16UNC, GRADE 5	4	06/08/2004
31	10009	WASHER, LOCK, 1/2"	4	4/15/2011
32	13781	HHCS, 1/2-13UNC x 1" LG	4	4/15/2011
33	50026	WASHER, FLAT, 1/2"	4	4/15/2011
42	20230C 20230E 20229C	HANDLE ASSEMBLY, FINE PITCH HANDLE ASSEMBLY, EU SPEC. HANDLE ASSEMBLY, FOLDING	1	07/20/2014
43	11112	MUFFLER DEFLECTOR	1	8/21/2007
44	11115	BOLT, HEX HEAD, #8 3/8",	2	4/15/2011
45	10919 (GX160) 10905 (GX270)	WASHER, FLAT, 5/16" WASHER, FLAT, 3/8"	4	4/15/2011 4/15/2011
46	10402 (GX160) N/A (GX270)	LOCKWASHER, 5/16", MEDIUM SPLIT -	1	07/01/2017
47	20289 (GX160) N/A (GX270)	CLUTCH SLEEVE -	1	07/01/2017
48	981045 (GX160) 993480 (GX160) N/A (GX270)	HHCS, 5/16-24NFx1-1/2" LG HHCS, 5/16-24UNF X 1-3/4" LG (HOIST HOOK) -	1	07/01/2017
49	10919 (GX160) N/A (GX270)	WASHER, FLAT, 5/16" DIA -		07/01/2017
51	20189 (GX160) 20171 (GX270)	HOIST HOOK (OPTIONAL) -	1	06/08/2004
52	30041	FHSCS, 5/16"-24 x 3/4" (W/ HOIST HOOK)	4	06/08/2004
53	11254 (GX160)	CLUTCH SPACER (W/ HOIST HOOK)	1	06/08/2004
	01109-B436-1	DECAL KIT, B436	1	
	01109-FAM-B	ROUND BARTELL DECAL	1	



This Page Intentionally Left Blank

PARTS LIST 2 – WALK-BEHIND TROWELS

BASE UNIT ASSEMBLY DIAGRAM: B436, B436E, B436SD

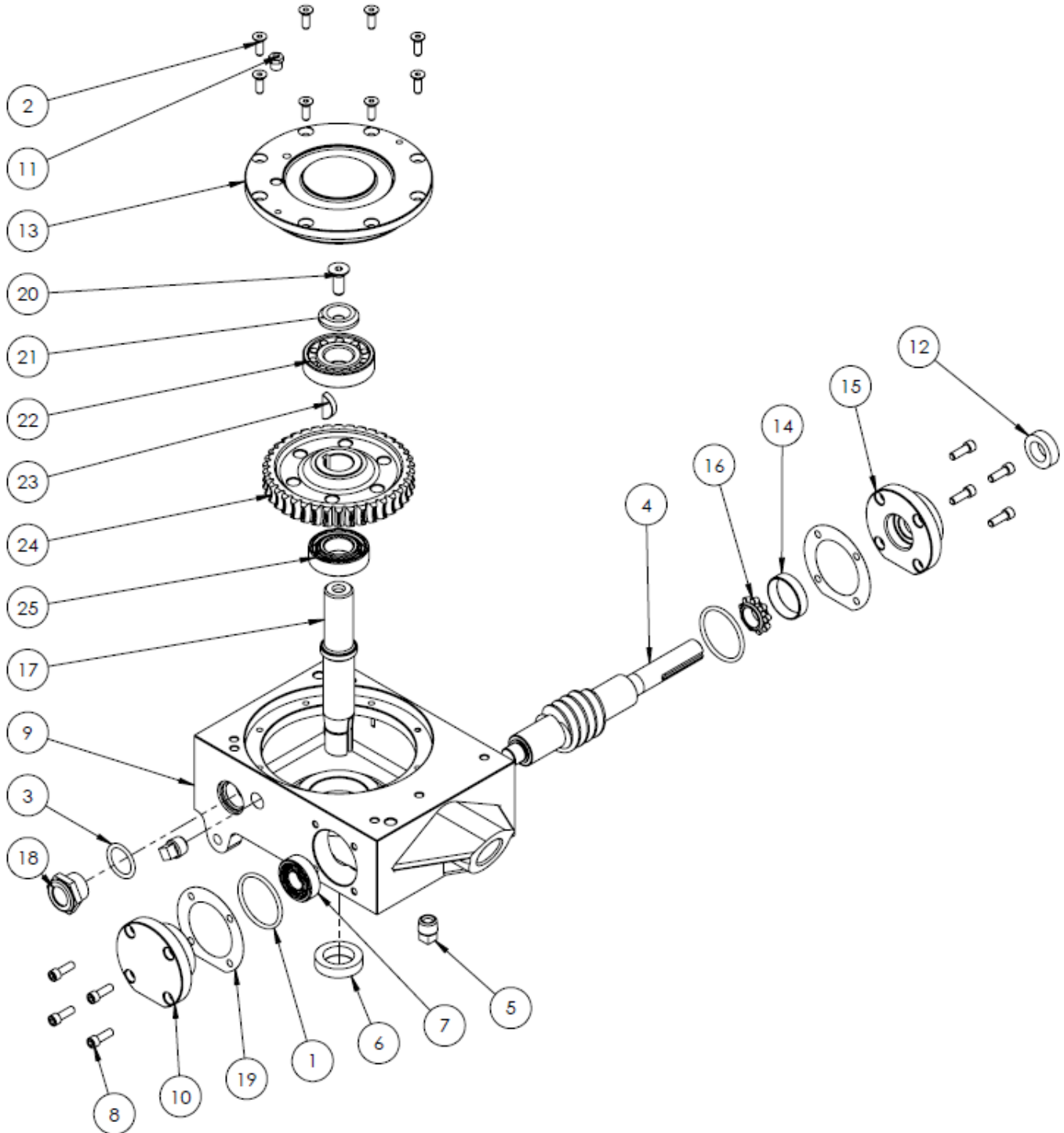


BASE UNIT ASSEMBLY: B436, B436E, B436SD - PARTS LIST 2

Item #	Part #	Description	QTY	Remarks
201	20810	SPIDER PLATE ASSEMBLY (SEE PARTS LIST 5)	1	5/1/2004
202	20921	GEARBOX ASSEMBLY, B436, B436E	1	4/7/1998
	20943	GEARBOX ASSEMBLY, B436SD (SEE PARTS LIST 3)		4/7/1998
203	20627	PRESSURE PLATE ASSEMBLY (SEE PARTS LIST 6)	1	1/1/1997
204	10608	KEY, 1/4" SQ x 1-5/32" LG	1	1/1/1997
205	10814	SPIDER PLATE RETAINER	1	1/1/1997
206	10812	SHCS, 7/16"-14UNC x 1 1/4" LG	1	1/1/1997
207	10823	CAP PLUG EC-12	1	1/1/1997
208	10312	YOKE ARM	1	3/1/2004
209	10923	YOKE PIN	1	1/1/1997
210	10922	RETAINING RING, E TYPE, 3/8" DIA	2	1/1/1997
215	11339	STUD, 3/8"-16 x 1-1/2" LG	4	1/1/1997
216	10902	WASHER, LOCK, 3/8" DIA, MEDIUM	4	1/1/1997
217	10901	HEX NUT, 3/8"-16UNC	4	1/1/1997
218	15344	MOUNTING RAIL, FRONT	1	5/15/2011
219	15345	MOUNTING RAIL, REAR	1	5/15/2011
220	10357	SHCS, 5/16-18x3/4" LG	4	5/15/2011

PARTS LIST 3 – WALK-BEHIND TROWELS

GEARBOX ASSEMBLY DIAGRAM: 20921, 20943



GEARBOX ASSEMBLY: 20921, 20943 - PARTS LIST 3

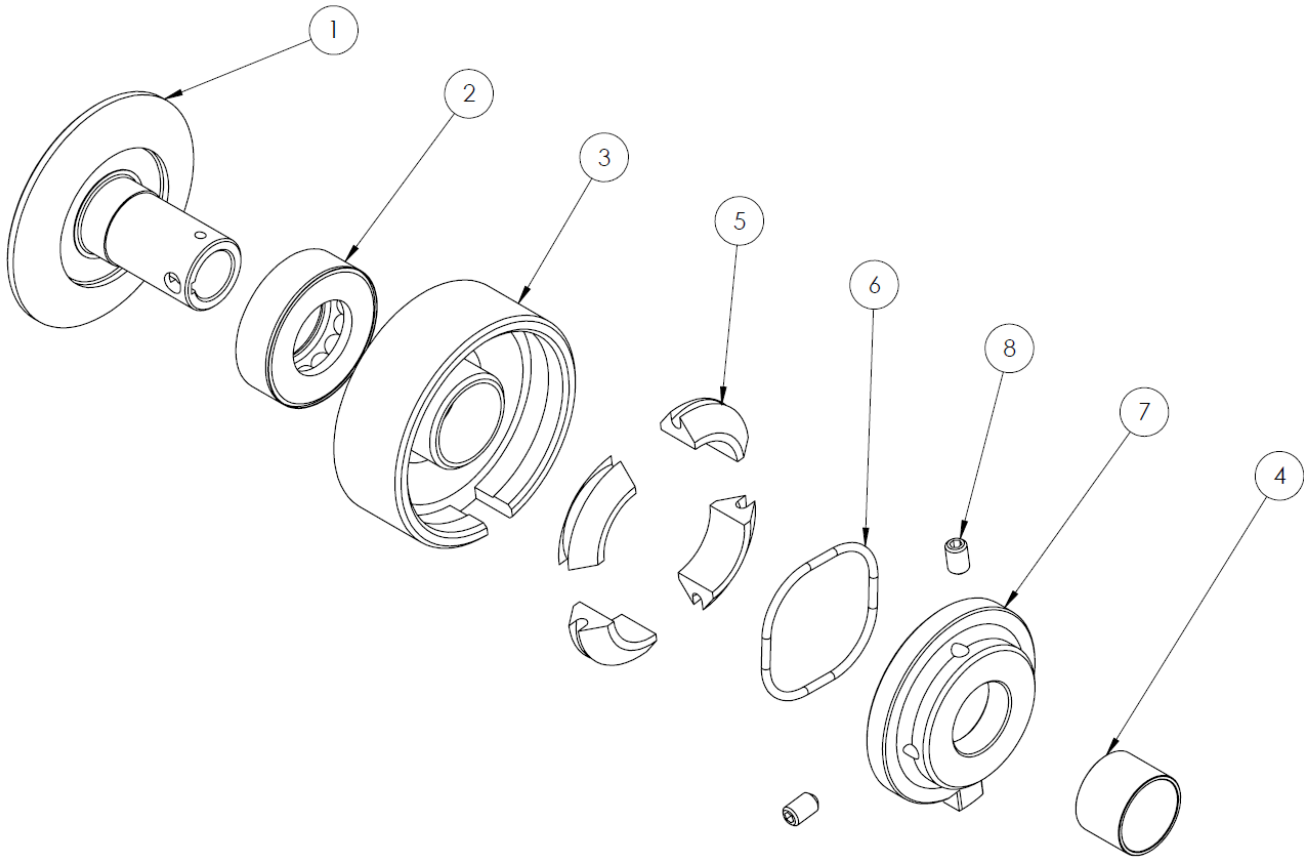
Item #	Part #	Description	QTY	Remarks
1	10227	SM O-RING	2	09/27/2007
2	10916	FHCS, 1/4"-20NC X 3/4" LG, PLAIN	8	09/27/2007
3	10931	O RING, No. 213	1	09/27/2007
4	10279	SMALL WORMSHAFT, RH	1	09/27/2007
5	10911	PLUG 3/8 NPT	2	09/27/2007
6	10677	OIL SEAL, 1-1/16" ID x 1.628" OD x 5/16 THICK	1	09/27/2007
7	10224	BEARING, RADIAL BALL, 6203U	1	09/27/2007
8	10213	SHCS, 1/4"-20NC X 3/4" LG, GRADE 5, ZP	8	09/27/2007
9	10921	SMALL GEARBOX, HOUSING	1	09/27/2007
10	10226	SMALL END CAP	1	09/27/2007
11	10909	RELIEF VALVE	1	09/27/2007
12	10678	OIL SEAL, .75" ID x 1.254" OD x 3/8 THICK	1	09/27/2007
13	10917	GEARBOX COVER, SMALL	1	09/27/2007
14	10220	BEARING CONE	1	09/27/2007
15	10217	GEARBOX FLANGE, SMALL	1	09/27/2007
16	10219	BEARING CUP	1	09/27/2007
17	10618	MAIN SHAFT	1	09/27/2007
18	10930	SIGHT PLUG	1	09/27/2007
19	10216	SM GASKET .010 THICK	2	09/27/2007
20	10601	FHSCS, LH, 3/8"-16UNC x 1" LG, GR. 5	1	09/27/2007
21	10613	PRESSURE WASHER	1	09/27/2007
22	10614	BEARING 4T-30305	1	09/27/2007
23	10615	WOODRUFF KEY 8630 STEEL	1	09/27/2007
24	10616	SMALL BRONZE GEAR	1	09/27/2007
25	10617	BEARING #6205UT	1	09/27/2007
26	10637	LOCKWASHER, 3/8", COUNTERSUNK	1	09/27/2007



This Page Intentionally Left Blank

PARTS LIST 4 – WALK-BEHIND TROWELS

CLUTCH ASSEMBLY DIAGRAM: 21027-2, 21029-2

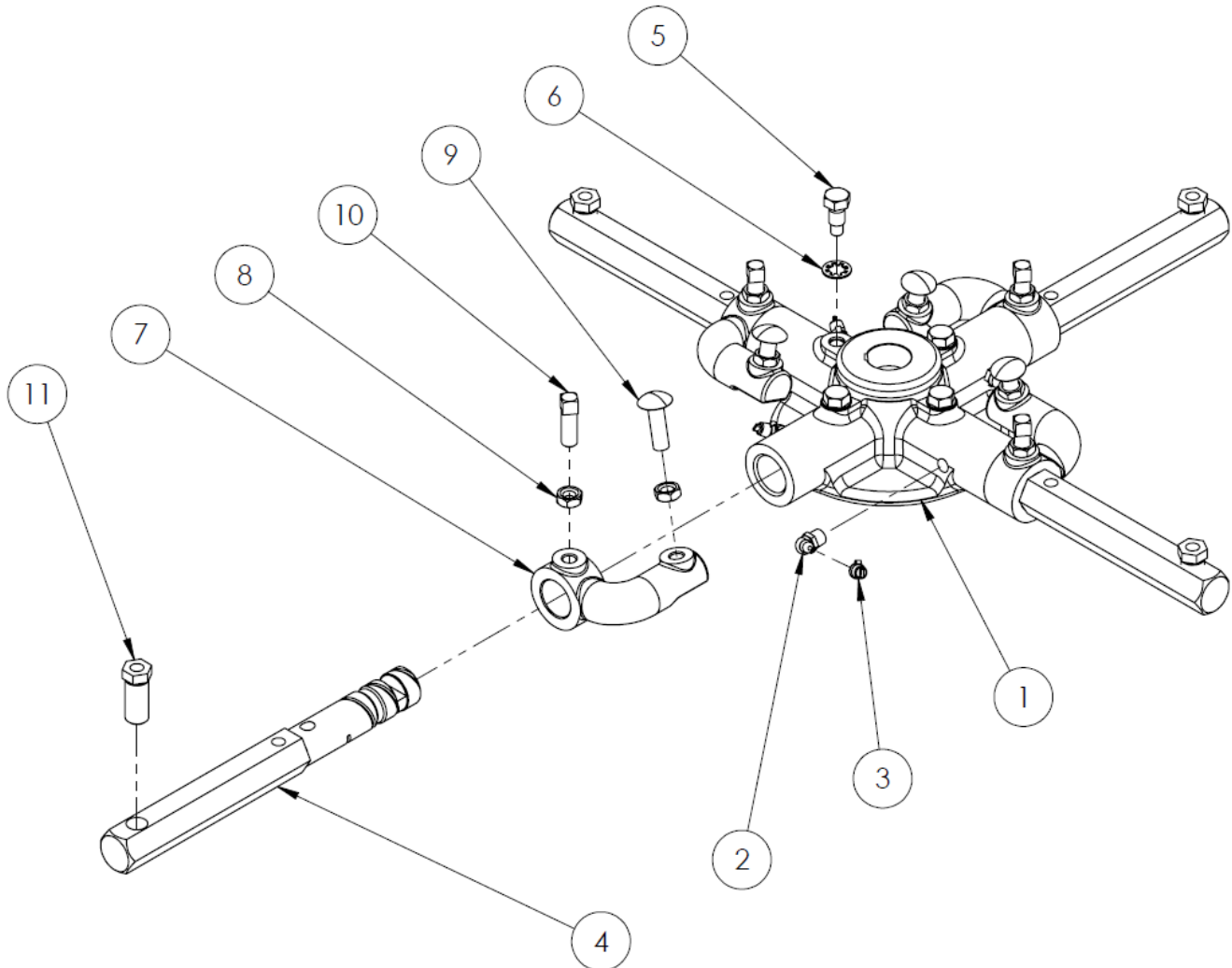


CLUTCH ASSEMBLY: 21027-2 (3/4" SHAFT), 21029-2 (1" SHAFT) – PARTS LIST 4

Item #	Part #	Description	QTY	Remarks
1	11484(3/4" SHAFT) 11045(1" SHAFT)	SPINDLE	1	8/21/2007
2	11044	BEARING	1	8/21/2007
3	21046	DRUM W/BUSHING	1	8/21/2007
4	11012	BUSHING	1	8/21/2007
5	11014	WEIGHT (SHOE)	4	8/21/2007
6	10759	SPRING	1	8/21/2007
7	11015	FACE PLATE	1	8/21/2007
8	50117	SET SCREW 5/16 – 18 UNC	2	8/21/2007

PARTS LIST 5 – WALK-BEHIND TROWELS

SPIDER PLATE ASSEMBLY DIAGRAM: 20810

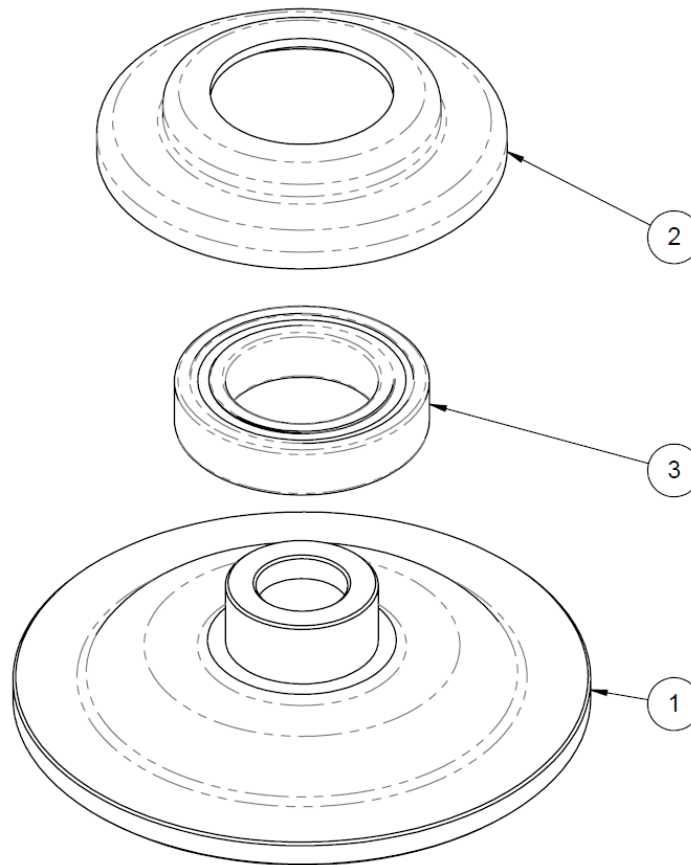


SPIDER PLATE ASSEMBLY: 20810 – PARTS LIST 5

Item #	Part #	Description	QTY	Remarks
1	10810	SPIDER PLATE (SMALL)	1	1/1/1997
2	10801	GREASE FITTING, 65 DEG, 1/8 NPT	4	1/1/1997
3	10822	CAP GREASE, NIPPLE, 1/8 ALEMITE	4	1/1/1997
4	10411	TROWEL ARM (SMALL)	4	9/5/2000
5	10806	3/8-UNC DOG POINT BOLT	4	1/1/1997
6	10805	LOCKWASHER, INT. STAR 3/8 STEEL	4	1/1/1997
7	10817	LIFT LEVER (SMALL)	4	9/12/2000
8	10808	HEX JAM NUT 3/8-16 UNC	8	1/1/1997
9	10807	CARRIAGE BOLT, 3/8-16x1 1/4"LG	4	1/1/1997
10	10809	SQ. HEAD SET SCREW, 3/8-16 x 1" LG. STEEL	4	1/1/1997
11	10404	ADJUSTING SCREW 1-1/4"LG	4	1/1/1997

PARTS LIST 6 – WALK-BEHIND TROWELS

PRESSURE PLATE ASSEMBLY DIAGRAM: 20627



PRESSURE PLATE ASSEMBLY: 20627 – PARTS LIST 6

Item #	Part #	Description	QTY	Remarks
1	10660	PRESSURE PLATE	1	1/1/1997
2	10664	THRUST BEARING P/P	1	1/1/1997
3	10668	PRESSURE PLATE CAP	1	12/6/2002

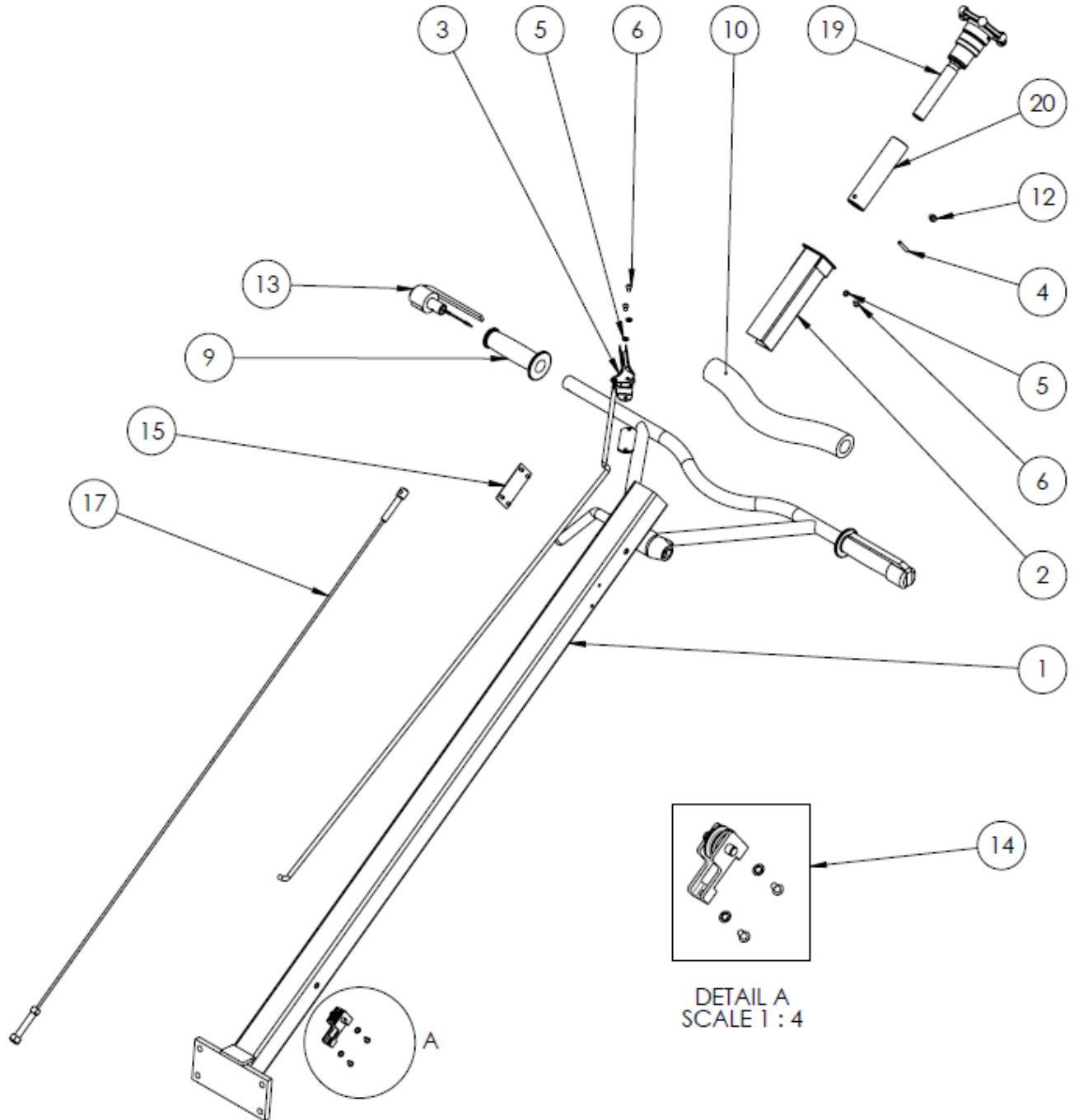


HANDLE ASSEMBLY: 20230C FINE PITCH - PARTS LIST 7

Item #	Part #	Description	QTY	Remarks
1	20230C	MEDIUM STRAIGHT HANDLE, FULLY ASSEMBLED	1	10/01/2014
2	20112	PITCH INSERT	1	10/01/2014
3	10895	THROTTLE LEVER ASSEMBLY	1	10/01/2014
4	21724	PIN 3/16"DIA X 1-1/4"LG	1	10/01/2014
5	20331	PITCH CONTROL CABLE, 42-1/32", 3/8-16 THREAD	1	10/01/2014
6	10703	LOCK WASHER, INTERNAL TOOTH, #10	3	10/01/2014
7	21728	RHMS, M5-0.8 X 8MM LG	3	10/01/2014
10	21717	HANDLE GRIP	2	10/01/2014
11	21721	CROSSBAR PAD	1	10/01/2014
14	20702	66" WIRE ASSEMBLY	1	10/01/2014
16	21729	SAFETY SWITCH	1	10/01/2014
17	20111	COVER PLATE	1	10/01/2014
19	20288	PULLEY ASSEMBLY	1	10/01/2014
20	21714	ASSY, HAND KNOB	1	10/01/2014
21	21725	M6-1.0 X 6MM LG	1	10/01/2014
22	21722	THREADED SLIDE BUSHING	1	10/01/2014
	10525-SQPRO	BARTELL DECAL KIT	1	

PARTS LIST 8 – WALK-BEHIND TROWELS

HANDLE ASSEMBLY DIAGRAM: 20230E EUROPEAN SPEC.



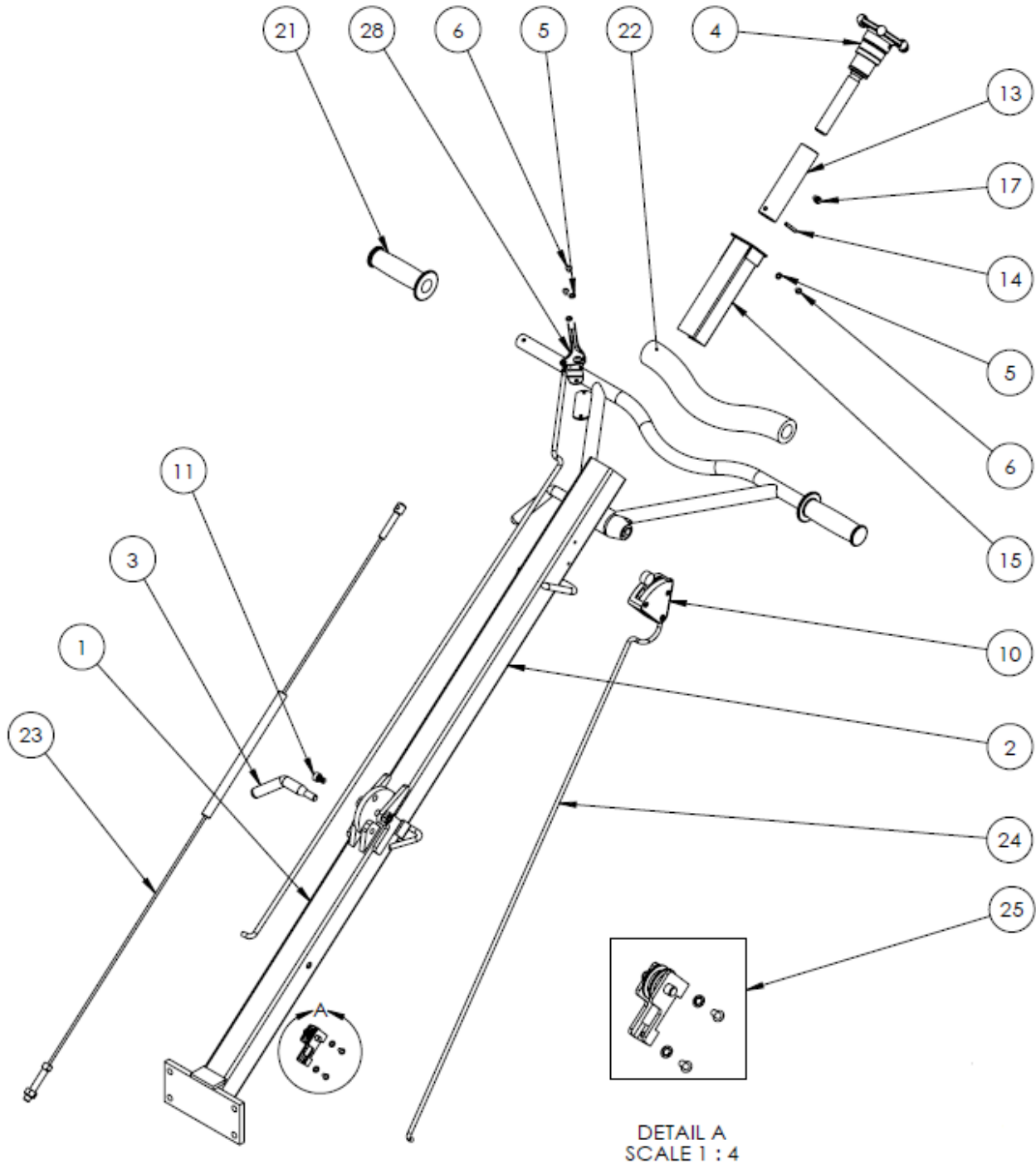


HANDLE ASSEMBLY: 20230E EUROPEAN SPEC. - PARTS LIST 8

Item #	Part #	Description	QTY	Remarks
1	20230E	MEDIUM STRAIGHT HANDLE B436	1	10/01/2014
2	20112	PITCH INSERT	1	10/01/2014
3	10508	THROTTLE LEVER ASSEMBLY	1	10/01/2014
4	21724	PIN 3/16"DIA X 1-1/4"LG	1	10/01/2014
5	10703	LOCK WASHER, INTERNAL TOOTH, #10	3	10/01/2014
6	21728	RHMS, M5-0.8 X 8MM LG	3	10/01/2014
9	21717	HANDLE GRIP	2	10/01/2014
10	21721	CROSSBAR PAD	1	10/01/2014
12	21725	M6-1.0 X 6MM LG	1	10/01/2014
13	11852	SAFETY SWITCH, PIGTAIL WIRES	2	10/01/2014
14	20288	PULLEY ASSEMBLY	1	10/01/2014
15	20113	PITCH FACEPLATE	1	10/01/2014
17	20335	PITCH CONTROL CABLE, 42-13/32", M10-1.5	1	10/01/2014
19	21714	HAND KNOB ASSEMBLY	1	10/01/2014
20	21722	THREADED SLIDE BUSHING	1	10/01/2014
		EURO WIRE ASSEMBLY	1	10/01/2014
	10525-SQPRO	BARTELL DECAL KIT	1	

PARTS LIST 9 – WALK-BEHIND TROWELS

FOLDING HANDLE ASSEMBLY DIAGRAM: 20229C

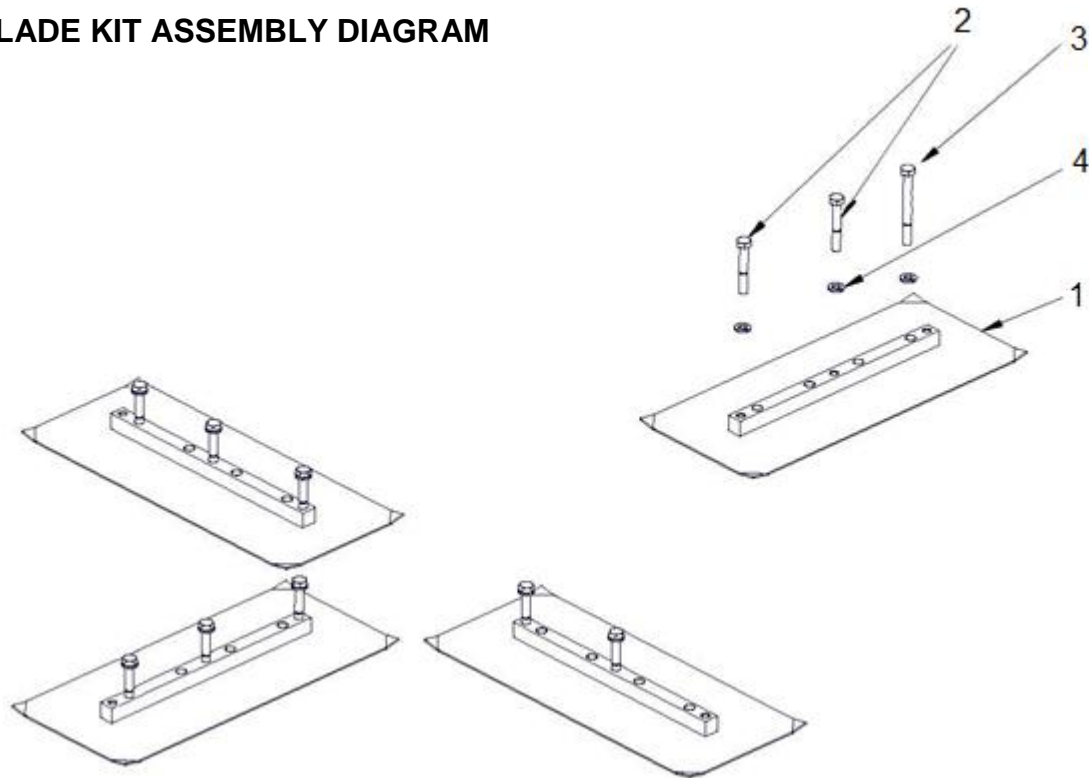


FOLDING HANDLE ASSEMBLY: 20229C – PARTS LIST 9

Item #	Part #	Description	QTY	Remarks
2	20229	FOLDING HANDLE, EURO	1	1/21/2015
3	20195	THREADED PIN	1	1/21/2015
4	21714	HAND KNOB ASSEMBLY	1	1/21/2015
5	10703	LOCK WASHER, INTERNAL TOOTH, #10	5	1/21/2015
6	21728	RHMS, M5-0.8x8MM LG	5	1/21/2015
10	21847	SAFETY SWITCH	1	1/21/2015
11	51010	SHCS, M8-1.25X12MM LG	2	1/21/2015
13	21722	THREADED SLIDE BUSHING	1	1/21/2015
14	21724	PIN 3/16" DIA x1-1/4" LG	1	1/21/2015
15	20112	PITCH INSERT	1	1/21/2015
17	21725	M6-1.0 x 6MM LG	1	1/21/2015
21	21717	HANDLE GRIP	2	1/21/2015
22	21721	CROSSBAR PAD	1	1/21/2015
23	20273	PITCH CONTROL CABLE	1	1/21/2015
24	20703	66" WIRE ASSY	1	1/21/2015
25	20287	PULLEY ASSEMBLY	1	1/21/2015
28	10508	THROTTLE LEVER ASSEMBLY	1	1/21/2015
	10525-SQPRO	BARTELL DECAL KIT	1	

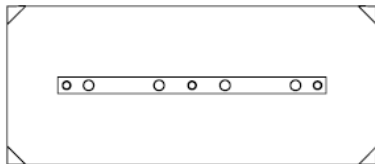
PARTS LIST 10 – WALK-BEHIND TROWELS

BLADE KIT ASSEMBLY DIAGRAM

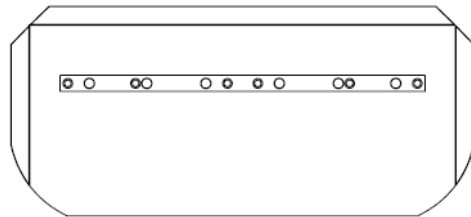


BC436 BLADE KIT – PARTS LIST 10

Item #	Part #	Description	QTY	Remarks
1	-	TROWEL BLADE	4	08/04/2007
2	10452	HHCS, M8-1.25 X 40MM	8	08/04/2007
3	10453	HHCS, M8-1.25 X 50MM	4	08/04/2007
4	11614	LOCK WASHER, M8	12	08/04/2007



STANDARD FINISHING BLADE

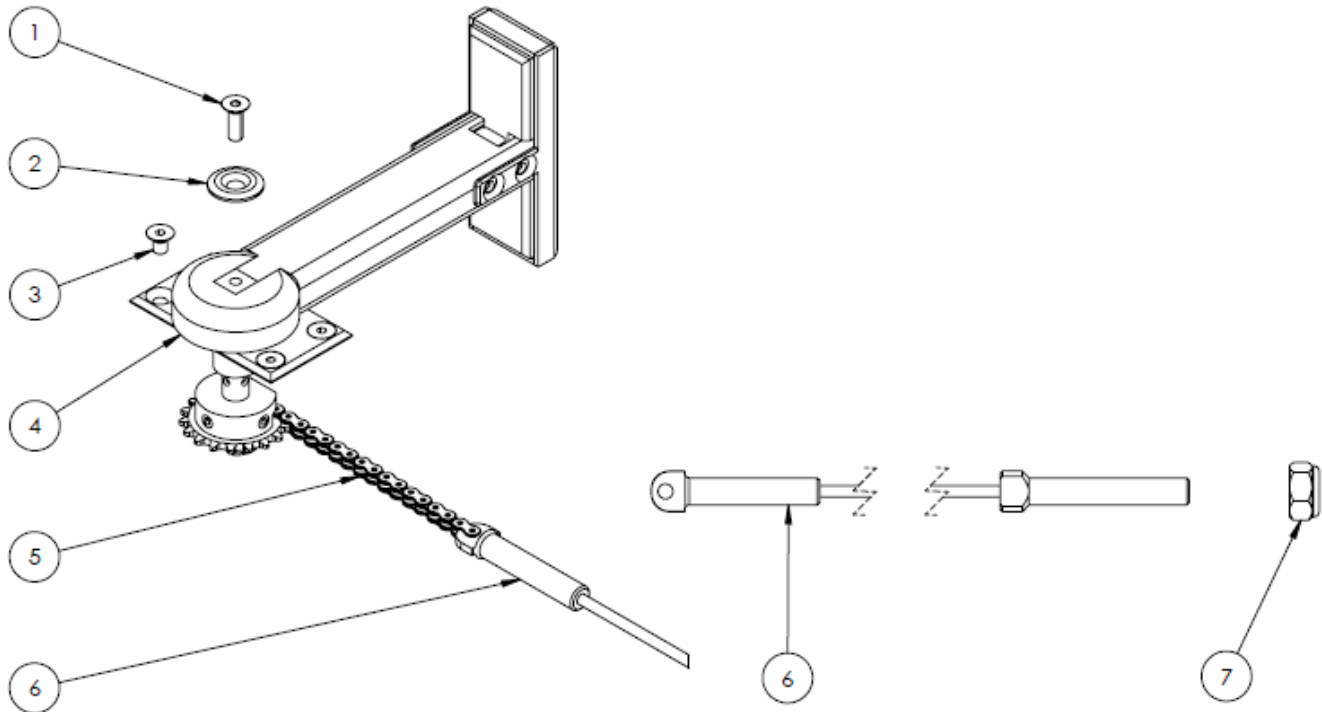


STANDARD COMBINATION BLADE

Part #	Dimensions	Part #	Dimensions
20414	6" x 14" (15.2CM x 35.6CM)	20479	8" x 14" (20.3CM x 35.6CM)

PARTS LIST 11: WALK-BEHIND TROWELS

EASY PITCH ASSEMBLY DIAGRAM: 20258



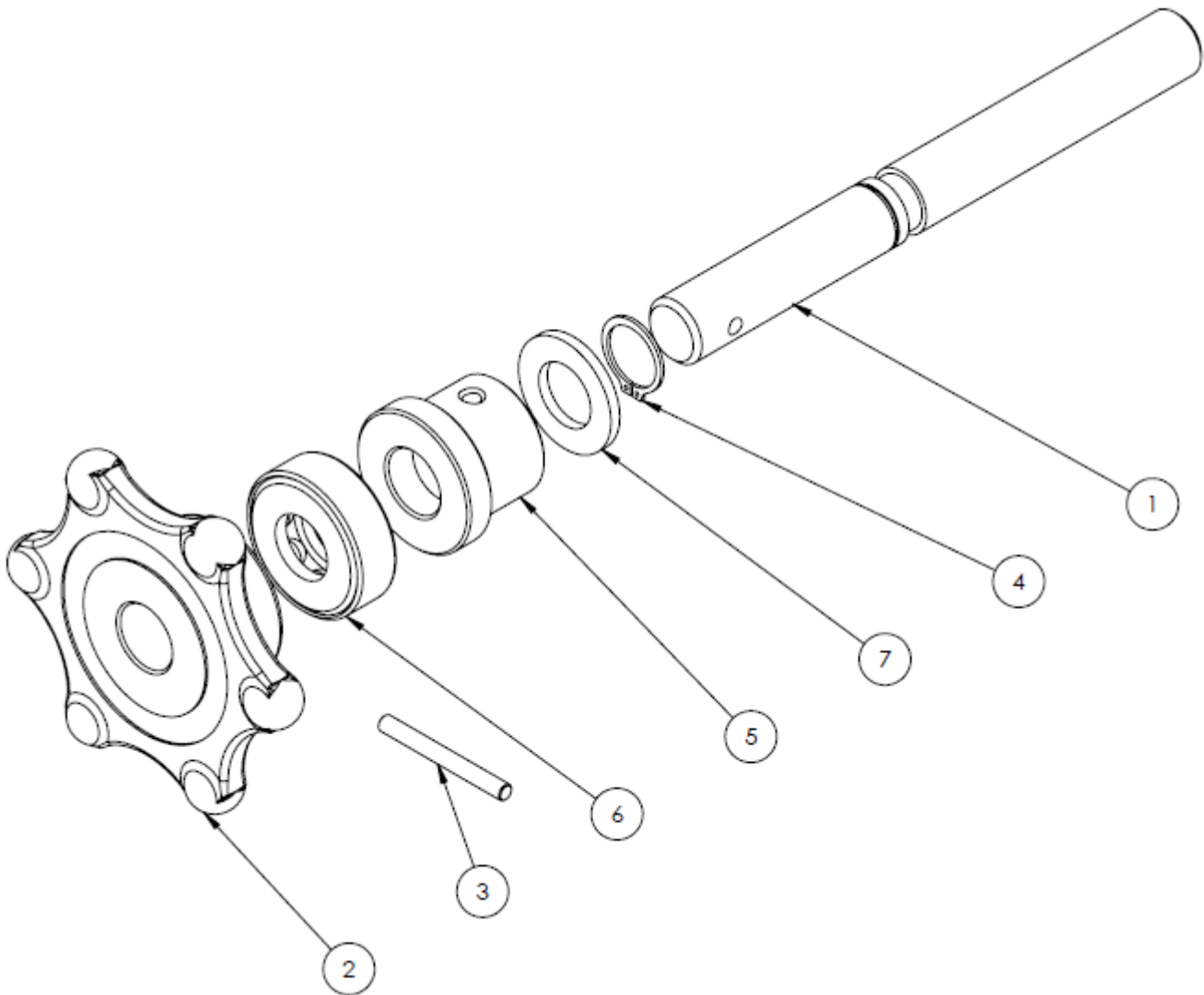
EASY PITCH: 20258 - PARTS LIST 11

Item #	Part #	Description	QTY	Remarks
1	20226	FHCS, M5-0.8 X 15MM	2	
2	20208	WASHER, M5, 3.5MM THICK	2	
3	21218	FHCS, M5-0.8 X 12 MM	4	
4	20270	HANDLE ASSEMBLY	1	
5	20209	CHAIN ASSEMBLY, #25	1	
6	20333	PITCH CONTROL CABLE	1	
7	11802	LOCK NUT, M10-1.5	1	
	10525-EPITCH	EASY PITCH DECAL KIT	1	

SOLD AS ASSEMBLY ONLY

PARTS LIST 12 – WALK-BEHIND TROWELS

HAND KNOB ASSEMBLY DIAGRAM: 21714, 21720



HAND KNOB ASSEMBLY: 21714, 21720 – PARTS LIST 12

Item #	Part #	Description	QTY	Remarks
1	10303	SCREW SHAFT	1	1/21/2015
2	10301	KNOB	1	1/21/2015
3	10302	PIN 3/16 x 1-3/4" LG	1	1/21/2015
4	10307	RETAINER	1	1/21/2015
5	10313	BUSHING, HANDLE	1	1/21/2015
6	10304	BEARING 607V NICE	1	1/21/2015
7	10306	WASHER 3/4"DIA	1	1/21/2015



www.BARTELLGLOBAL.com



Bartell Morrison Inc.
 375 Annagem Boulevard
 Mississauga, Ontario, Canada
 L5T 3A7
 Tel: 1-647-953-4100
 Fax: 1-647-953-4101



Bartell Morrison (USA) LLC
 200 Commerce Drive, Unit A
 Freehold, New Jersey, USA
 07728
 Tel: 1-848-225-8100
 Fax: 1-848-225-8101



Innovatech
 4701 Allmond Ave
 Louisville, Kentucky, USA
 40209
 Tel: 1-425-405-9100
 Fax: 1-425-405-9101



SPE International
 Honeyholes Lane
 Dunholme, Lincoln, UK
 LN2 3SU
 Tel: +44 (0)1673 860709
 Fax: +44 (0)1673 861119